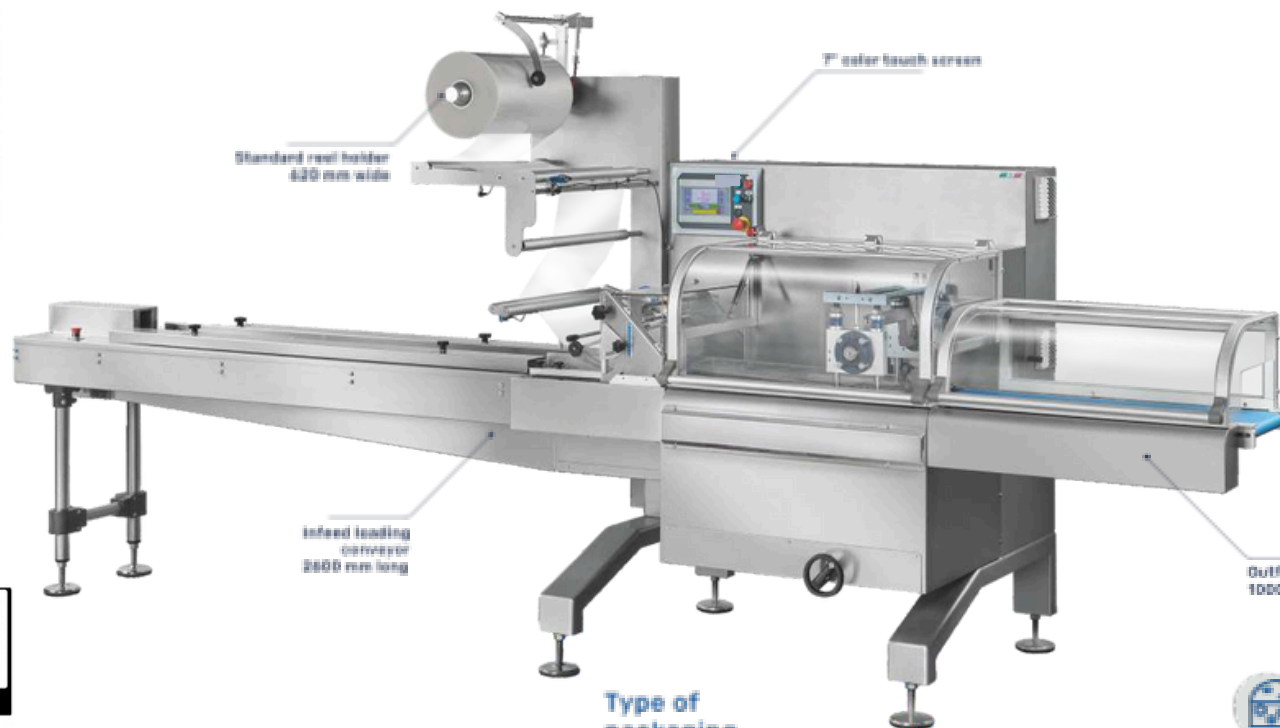


Flow pack

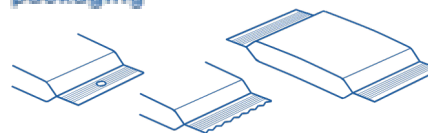


- ⚙️ **AISI 304** stainless steel guards
- ⚙️ **Longitudinal sealing unit** consisting of three pairs of wheels: pulling, welding and folding flap. Pneumatic opening of sealing wheels
- ⚙️ **Rotary transversal sealing unit** with one or multiple 300 mm wide up jaws
- ⚙️ **One self-centring** reel holder
- ⚙️ **Photocell for printed film**
- ⚙️ **Photocell** for "No Product - No Bag"
- ⚙️ **Standard spare parts kit**
- ⚙️ **Safety guards** in transparent shockproof plastic material.
- ⚙️ **Adjustable** or **fixed** forming box;

Find Video Attached Here

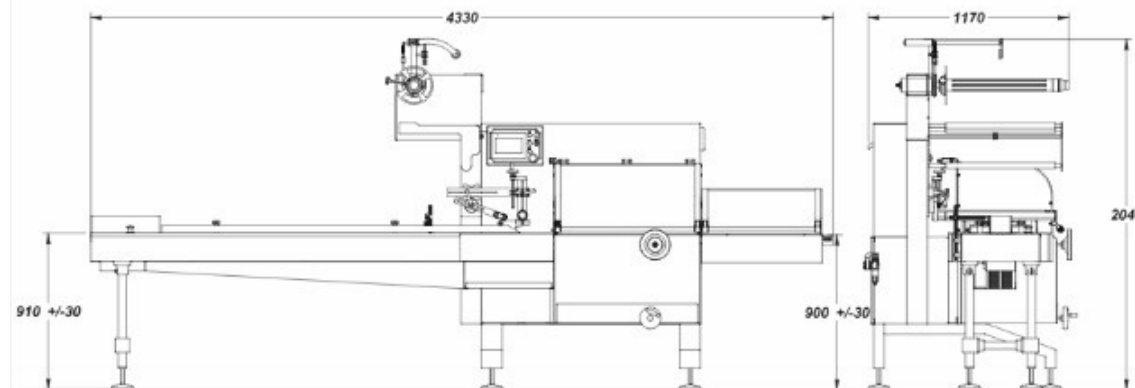


Type of packaging



Product Length	Min 50	Max 600mm
Product Width	Min 10	Max 295mm
Product Height	Min 1 mm	Max 190mm
Reel Holder Width	620 mm to 720 mm on Demand	
Mechanical Speed	Max 200	
Weight	610 kg	
Power Supply	4 Kw	

- ⚙️ Motorization by means of 3 independent Brushless motors
- 🕒 Mechanical speed 200 rpm
- ⚡ Voltage 400V / 3 phase Earth + Neutral, 50Hz
- CE Machine conforms to CE regulations



☎️ +353 1 576 8548
+44 161 864 3971

✉️ Sales@recordpackaging.com

🌐 Recordpackaging.com

Record Packaging Systems LTD
Unit 41, Stretford Morotway Estate,
Manchester,
M32 0ZH
Unit 69, Premier Business Park, Dublin, D11
EP11

