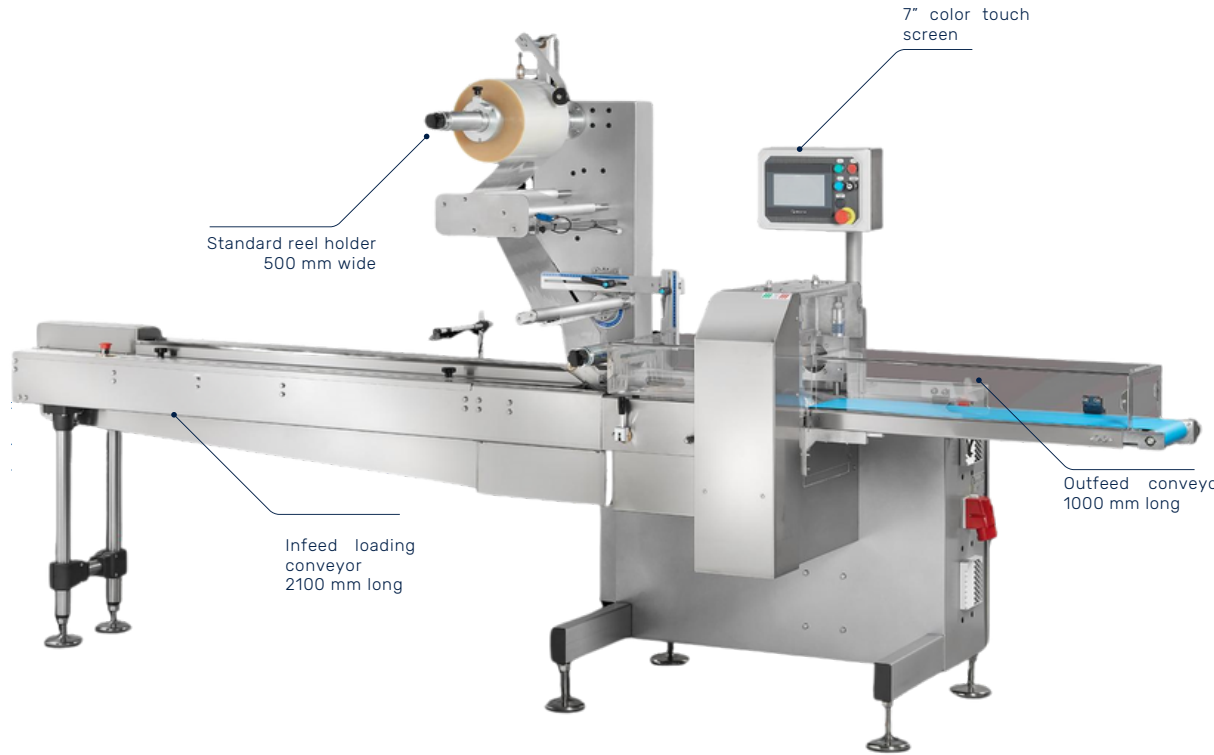
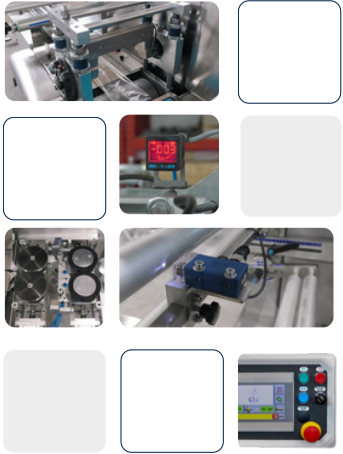


Flow pack

RECORD SPARROW



RECORD PACKAGING SYSTEMS

- ⚙️ Steel frame with **AISI 304** stainless steel guards;
- ⚙️ **Longitudinal sealing unit** consisting of two pairs of wheels: driving and sealing
- ⚙️ **Rotary transversal sealing unit** with one or multiple 240 mm wide up jaws
- ⚙️ **Self-Centring reel system** to enable quick positioning of film
- ⚙️ **Photocell for printed film**
- ⚙️ Standard **spare parts kit**
- ⚙️ **Safety guards** in transparent shockproof plastic material.
- ⚙️ **Adjustable or fixed** forming box;

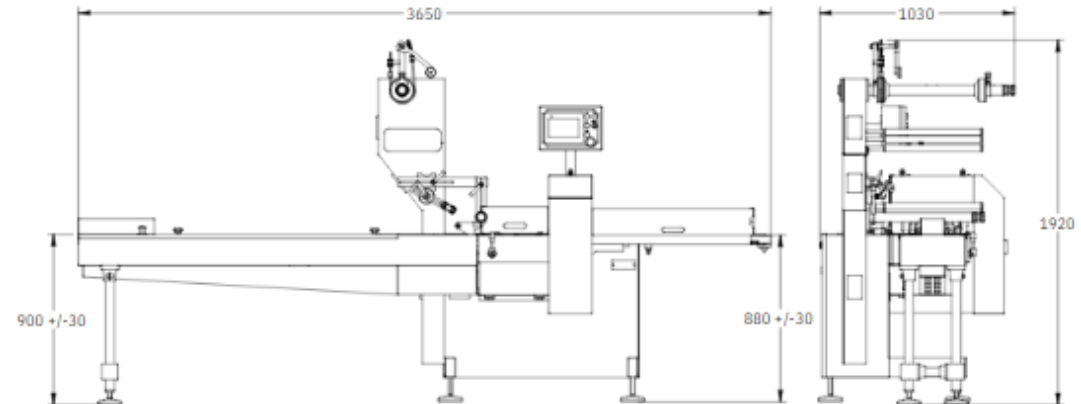
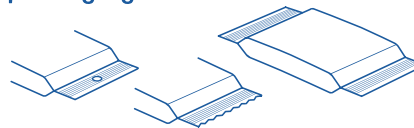
Find Video Attached Here



Product length	min 50 mm	max 520 mm
Product width	min 10 mm	max 220 mm
Product height	min 1 mm	max 100 mm
Reel holder width	500 mm	
Mechanical speed	min 60	max 120
Weight	550 kg	
Power supply	3,5 Kw	

- ⚙️ Motorization by means of **3 independent Brushless motors**
- ⚙️ Mechanical speed 120 rpm
- ⚡ Voltage 400V / 3 phase Earth + Neutral, 50Hz
- CE Machine conforms to CE regulations

Type of packaging



Record Packaging Systems LTD

Unit 41, Stretford Morotway Estate, Manchester, M32 0ZH

Unit 69, Premier Business Park, Dublin, D11 EP11

- ☎️ +353 1 576 8548
+44 161 864 3971
- ✉️ Sales@recordpackaging.com
- 🌐 Recordpackaging.com