

GSP 45 S

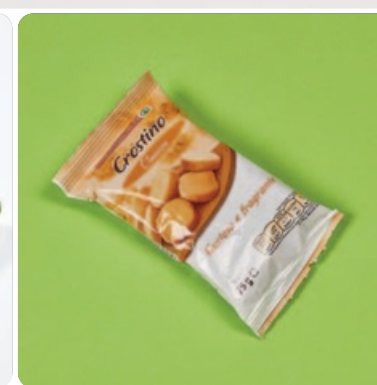


RECORD
PACKAGING SYSTEMS

GSP 45 S

GSP 45 S is the result of our machines evolution and of many experience's years in the field of horizontal products' packaging Electronic Horizontal Pillow Pack Wrapper versatile and reliable, very flexible in with sanitation for change, principles, easy suitable for food safety, foods been constructed for, products, both for single dose and for multiple packages.

Cantilever frame and easy accessibility, together



RECORD
PACKAGING SYSTEMS

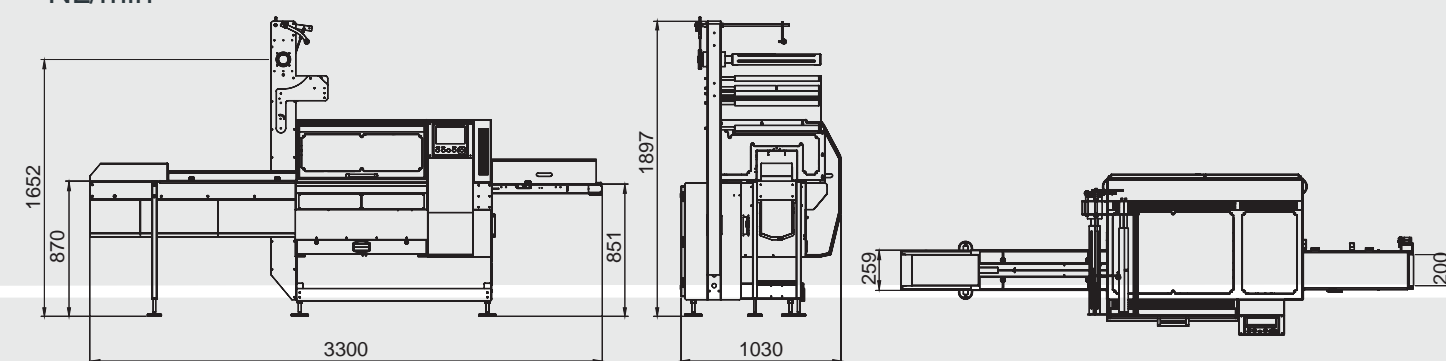
Options

- Photo electric cell for print register
- Printing unit for expiry date
- Double reel holder
- Infeed extension
- Inox version
- Casters under the machine
- Gear shift for short/long pitch
- Zig-zag knives
- Euroslot punch
- No product no bag

GSP 45 S

Technical features

Cantilever frame
 Longitudinal sealing unit with three con tre coppie di rulli pairs of rollers
 Capacity: up to 120 ppm
 Product dimensions:
 width: 10/200 mm
 height: 1/120 mm
 mm length: 30/600 mm
 ·Reel dimensions:
 reel width max 520 mm
 outside diameter: 350 mm
 core diameter: 68÷75 mm accoppiati,
 Packaging materials: heat-sealable, polietilene complex films, cold-sealable, polyethylene
 Machine dimensions:
 length: 3.200 mm
 width: 890 mm
 height: 1.800 mm
 weight: 550 Kg
 Electrical features
 Interface with 7" LCD panel with di memorizzazione dati e ricette working programs memorization
 Machine diagnostic
 Preoperative controls through operation of touch screen touch screen
 Compressed air 7 bar
 Power 3 kW
 Air consumption 20 NL/min



preavviso.

RECORD
PACKAGING SYSTEMS

UNIT 41,
STRETFORD
MOTORWAY ESTATE,
MANCHESTER, M32
OZH

+44 161 864 3971

SALES@RECORD
PACKAGING.COM