



MPT PACKAGING LTD
SPECIALISTS IN PACKAGING
MACHINERY & FILMS
UK & IRE

FM77A EVO-A

AUTOMATIC HEAT SHRINK MACHINE - SEALING BAR 840X590 MM - DEDICATED ELECTRONIC CARD - DOUBLE DISPLAY



DESCRIPTION

The historic FM77A is renewed by combining reliability and ease of use. With a dedicated electronic interface card and an electro-mechanical panel we guarantee reliability, safety, speed and availability of spare parts.



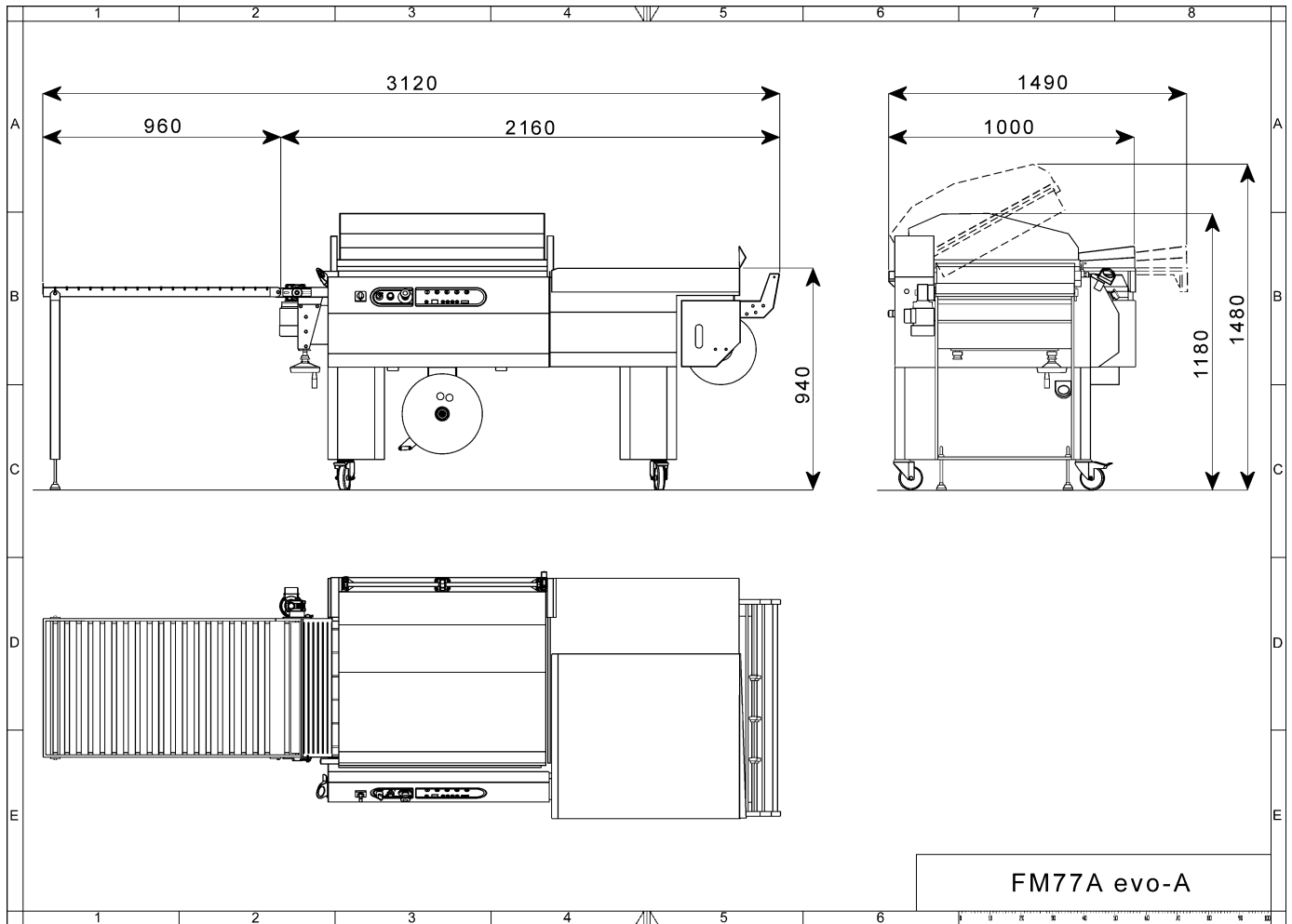
TECHNICAL FEATURES

Electrical power supply	200V 50/60Hz 3Ph 208V 60Hz 3Ph 230V 50Hz 3Ph 400V 50Hz 3Ph
Maximum power installed	6,0 kW (200V) 7,9 kW (208V) 7,5 kW (230/400V)
Maximum current	20 A (200V) 24 A (208V) 21 A (230V) 12 A (400V)
Hourly production	0-400
Useful dimensions of sealing bars	840x590 mm
Maximum reel dimensions (Ø x length)	Ø300x800 mm
Maximum product dimensions	800x500x200 mm
Work surface height	940 mm
Machine dimensions (open hood)	3120x1000x1480 mm
Machine dimensions (closed hood)	3120x1000x1180 mm
Machine weight (net / gross)	286/338 kg
Machine color	RAL2004 peeled
Packaging flat color	RAL7016 peeled



MPT PACKAGING LTD
SPECIALISTS IN PACKAGING
MACHINERY & FILMS
UK & IRE

TECHNICAL DRAWING





TECHNICAL FEATURES:

Option of having an 'Automatic' work cycle (press the start button cycles performed in sequence, interrupted by the programmed pause interval) and a 'Manual' work cycle (press the start button to perform one packaging cycle)

Automatic lid opening, product ejection Frontal

control interface: intuitive programming

Standard sealing bars liquid cooling system: increased productivity and improved sealing

Innovative upper hood fixing, easier maintenance.

Safety control on sealing blades: safer machine

Roll support with bigger diameter (300 mm)

Packaging plate independent from roll support: suitable for the packaging of small products with the same film roll

Innovative micro puncher: continuous and accurate perforation

Double display: 2 digitals for programs and settings and 4-digit as piece counter

6 programs digital control panel easy to be used

Counter pieces included: more complete equipment

Power board access with frontal door

Higher screened plate: more protection of the heating elements

More powerful fan motor: superior shrinking performance

Extra safety thermostat on the heating elements: safer machine

New rubber support without glue

Hood safety system: Greater safety for the operator